

EASY | FAST | RELIABLE | COST-SAVING

## Industrygenix Engineering

+91 8767718285

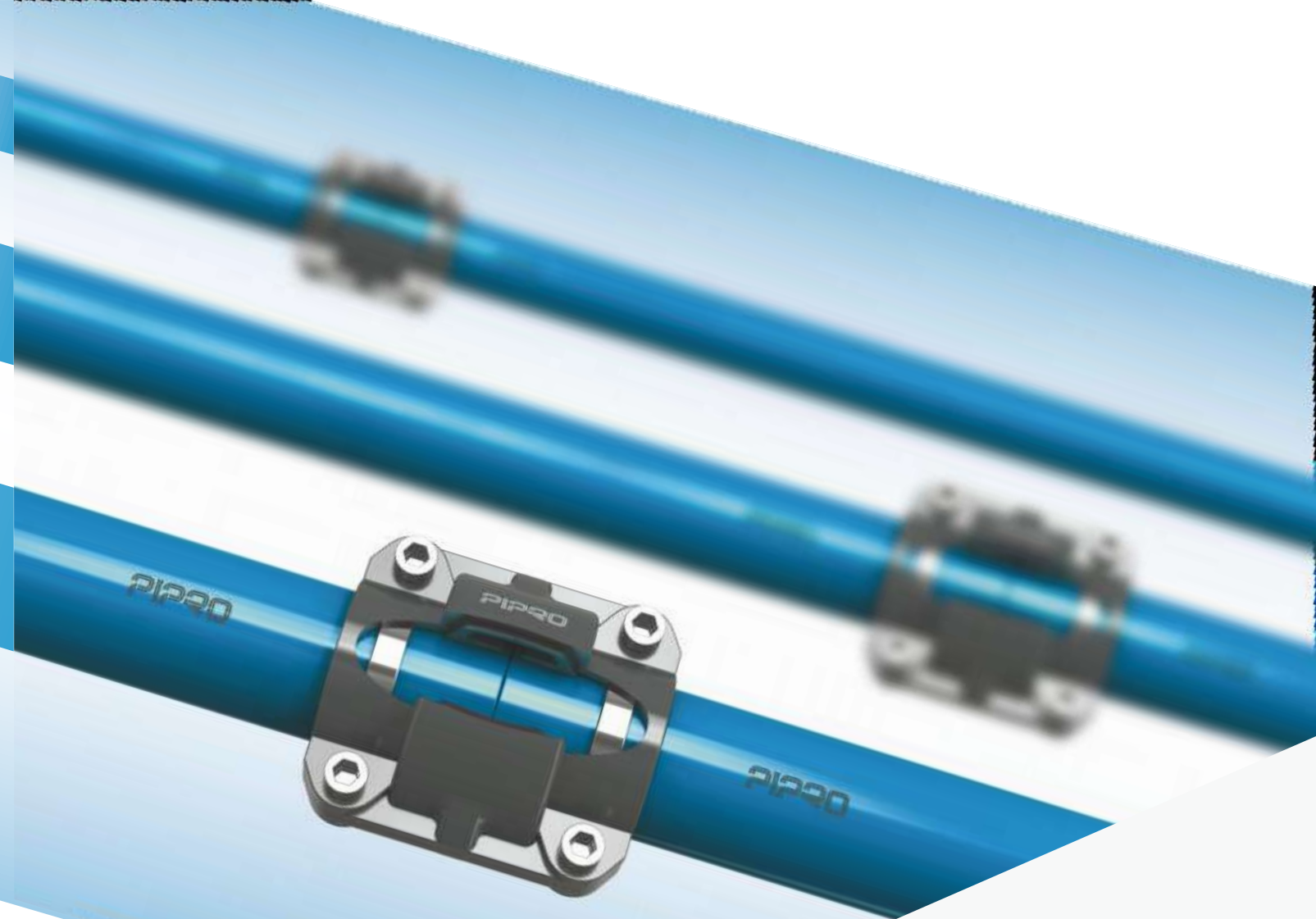
Address -

207, 2nd floor, Gat no. 1193, Sat sang road

Chikhali, Pune - 411 062

Mail Id - [info@industrygenix.com](mailto:info@industrygenix.com)

Website - [www.industrygenix.com](http://www.industrygenix.com)



PIP20



**INDUSTRYGENIX  
ENGINEERING**

## ALUMINIUM AIR PIPING SYSTEM

EASY | FAST | RELIABLE | COST-SAVING

[WWW.INDUSTRYGENIX.COM](http://WWW.INDUSTRYGENIX.COM)



# Table of Content

Content	01
Corporation Introduction & Certificates	02
Products Introduction	03
Advantages & Features	04
PiPro Applications	05
Product Specifications	06
Technical Manuals	07-19
Service Scope	20-21

PIPRO  
SAVE MORE

EASY  
FAST  
RELIABLE  
COST-SAVING



## About Us

As a pioneer in compressed air and pressure fluids distribution, PiPro is dedicated to a continuous improvement of aluminum pipes and fittings for compressed air, vacuum, and inert gas, etc. After years of research and engineering practice, we have released the latest generation of air piping system—PiPro all-aluminum air piping system.

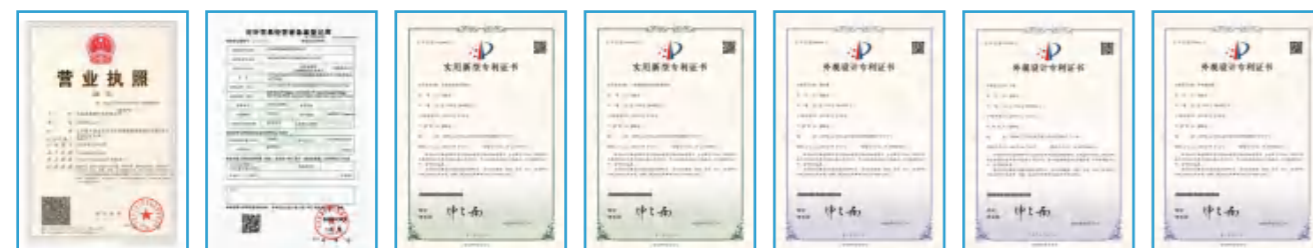
We recognize the significance of safety and reliability that the air piping system plays in the plants. PiPro Aluminum meets the requirements of several industry certifications and standards, ensuring the highest level of safety and quality. With confidence in its patented design and quality management, PiPro honorably manufactured products are guaranteed with 15 years of quality assurance.

We understand your needs, our fast-response and knowledgeable team are ready at your service, to help you get the most suitable air pipe system and components. PiPro is committed to providing excellent customer service on quality products at a competitive price.



## Certificates

ISO, CE, ASME, TUV, PED2014 / 68 / EU



## Advantages Overview

### PiPro -- Optimized Performance Air Piping System

PiPro aluminum air piping system suits for compressed air, vacuum, and inert gas, etc. PiPro air pipe system ranges from 20mm (3/4") to 200mm (8") to integrate your project without compromising performance. Through its reliable leak-free design and durable corrosion-resistant material, PiPro aluminum air piping system consistently provides clean and quality air sources, guarantee total cost saving and optimization of your air system and production efficiency.

The light-weight but durable aluminum material guarantees high-quality air and low-pressure drop. Modular designed fittings and pipes could be reused.

PiPro air piping system meets the requirements of several industry certifications and standards, ensuring the highest level of safety and quality. All PiPro products are guaranteed with 15 years of quality assurance.

Contact PiPro for more details.

### Fast, Easy and Adaptable to Modification/Installation

PiPro's unique patented modular design and push-to-connect fittings make the system super easy and fast to install, modify and expand without welding, soldering or any other time-consuming processing. It helps to save 60%-80% cost in installation, modification, and maintenance.

### Total Cost-saving from the Start to the Whole Process

PiPro significantly reduces plant total cost of ownership:

1. PiPro easy & fast design helps to reduce the cost for installation, modification, and maintenance.
2. PiPro helps ownership save energy by increasing efficiency, reducing pressure drops, and eliminating leaks or disconnection.
3. PiPro provides continuous clean and quality air sources, which will prolong the lifespan of your production line.



### Exclusive Design, Optimized Performance

Compared with traditional options and others' aluminum fittings, PiPro air piping system improved with new advanced design.

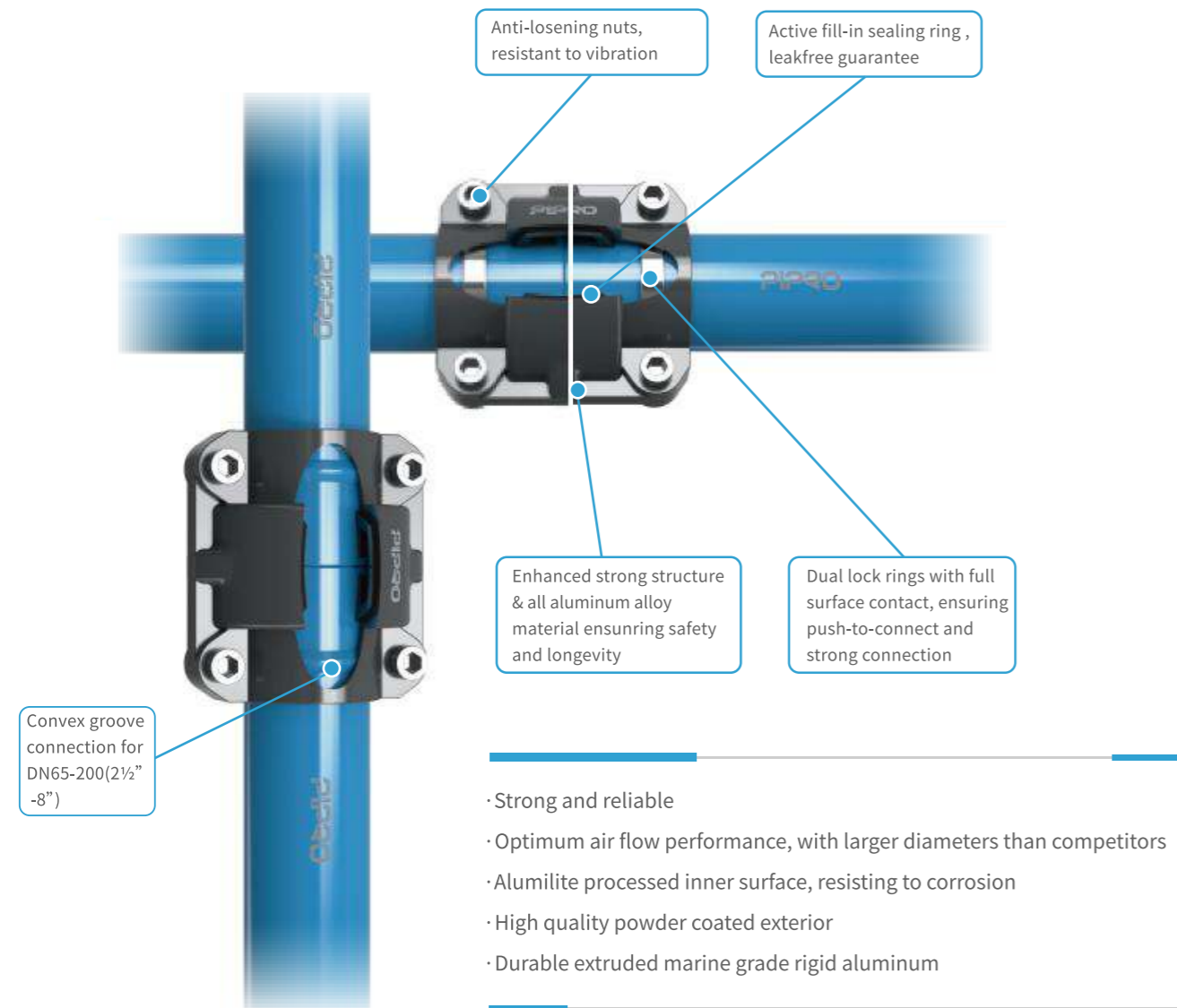


EASY | FAST | RELIABLE | COST-SAVING

## PiPro Improved Features

1. Dual C lock ring with full-contact grip guarantees strong connection;
2. Anti-loosen bolts guarantees resistant to any vibration;
3. Reinforced rib design makes the fittings extremely reliable;
4. Raised portion design makes the quick drop better connection and moisture-free flow;
5. Larger inner diameters optimize better airflow;
6. Unique seal ring ensures better sealing with zero leaks;

## Products Features



## Customer Reference

PiPro serves customers widely in different industries, ranges from Foods, Machinery, Automatic, Electronic, Packaging, Auto Parts, Textile, Rail Transit, Beverage, Tobacco, Building Materials, Aerospace, Daily Chemicals, Household Furniture and Appliances.



# Aluminium Pipes

## General Technical Specifications:

Max. working pressure: 16 Bar  
 Working Temperature: -20°C, +80°C  
 Clean and air source ( ISO8573-1certified ) quality

## Compatible Fluids:

-Compressed air  
 -Vacuum  
 -Inert Gas

## Fire Resistance:

The system does not stroke or propagate any fires  
 Extruded Aluminium alloy: 6063 T5  
 Optimum flow performance  
 Lightweight  
 High quality powder coated exterior



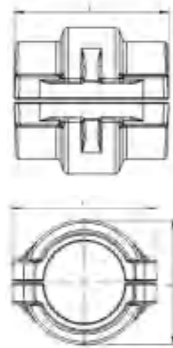
mm

Specs	Code	D	d	L	Thickness
20/3/4"	92060 00	23.5	20.5	5800	1.5
25/1"	92560 00	28.5	25.5	5800	1.5
40/1 1/2"	94060 00	44	41	5800	1.5
50/2"	95060 00	54	50	5800	2
65/2 1/2"	96560 00	70	65.4	5800	2.3
80/3"	98060 00	86	81.2	5800	2.4
100/4"	91B60 00	106	101	5800	2.5
150/6"	91W60 00	148	142.5	5800	2.75



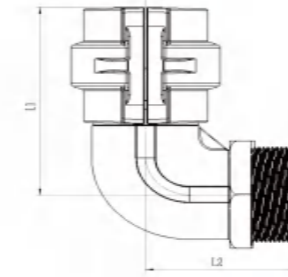
EASY | FAST | RELIABLE | COST-SAVING

# PIPE TO PIPE CONNECTORS



## Pipe to Pipe Connector

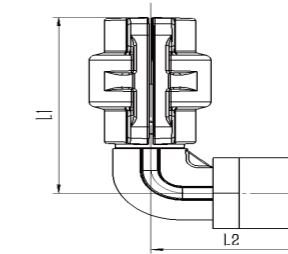
Specs	Code	L	A	B
20/3/4"	12000 00	61	50	41
25/1"	12500 00	63	56	47
40/1 1/2"	14000 00	70	79	66
50/2"	15000 00	73	88	77
65/2 1/2"	16500 00	94	118	100
80/3"	18000 00	96	136	117
100/4"	11B00 00	96	163	141
150/6"	11W00 00	110	214.5	189



## Male Threaded\* Elbow

Specs	Code	L1	L2	Thread
20	22000W 01	84	52.5	3/4"
25	22500W 01	92	59	1"
40	24000W 01	104	69	1 1/2"
50	25000W 01	118	79	2"

\* All threads are available in BSP & NPT standard.



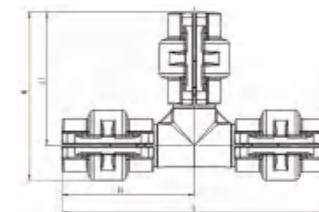
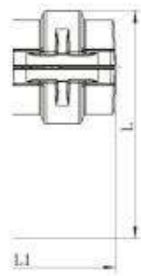
## Female Threaded\* elbow

Specs	Code	L1	L2
20/3/4"	22000N 01	84	52.5
25/1"	22500N 01	92	59
40/1 1/2"	24000N 01	104	69
50/2"	25000N 01	118	79

\* All threads are available in BSP & NPT standard.

## 90° Elbow

Specs	Code	L	L1
20/3/4"	22000 01	105	84
25/1"	22500 01	116	92
40/1 1/2"	24000 01	139	106
50/2"	25000 01	156	117
65/2 1/2"	26500 01	208	151
80/3"	28000 01	231	164.5
100/4"	21B00 01	271	189
150/6"	21W00 01	342	248



## Equal Tee

Specs	Code	L1	L2	H
20/3/4"	32000 01	175	88	113
25/1"	32500 01	181	91	115
40/1 1/2"	34000 01	213	105	139
50/2"	35000 01	226	152	75
65/2 1/2"	36500 01	297	206	148
80/3"	38000 01	319	226	159.5
100/4"	31B00 01	354	259	177
150/6"	31W00 01	466	233	327



### Reducing Tee

Specs	Code	L	H
25x20 <sup>3/4</sup> "	32520 01	181	114
40x25/1"	34025 01	213	137
40x20 <sup>3/4</sup> "	34020 01	213	131
50x40/1 <sup>1/2</sup> "	35040 01	226	151
50x25/1"	35025 01	226	144
65x40/1 <sup>1/2</sup> "	36540 01	297	184
65x50/2"	36550 01	297	185
80x65/2 <sup>1/2</sup> "	38065 00	319	224
80x50/2"	38050 00	319	201
100x65/2 <sup>1/2</sup> "	31B65 00	354	251
100x80/3"	31B80 00	354	251
150x80/3"	31W80 00	466	320.5
150x100/4"	31W1B 00	466	320



### Male Threaded\* Adapter

Specs	Code	L
DN20-3/4"	52020W 01	98
DN20-1/2"	52015W 01	97
DN20-1"	52025W 01	
DN25-1"	52525W 01	104
DN25-3/4"	52520W 01	103
DN25-1/2"	52515W 01	103
DN40-11/2"	54040W 01	109
DN40-11/4"	54032W 01	108
DN50-2"	55050W 01	118
DN65-2 1/2"	56565W 01	142
DN80-3"	58080W 01	142

\* All threads are available in BSP & NPT standard.



### Reducing Connector

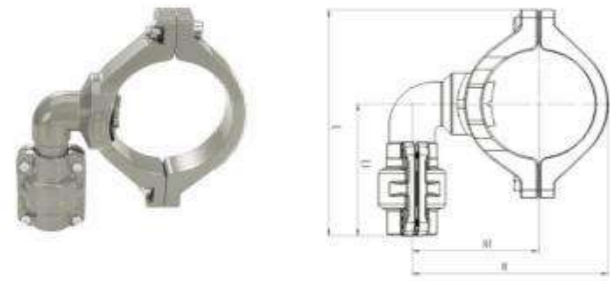
Specs	Code	L
25x20 <sup>3/4</sup> "	42520 01	135
40x25/1"	44025 01	147
40x20 <sup>3/4</sup> "	44020 01	144
50x40/1 <sup>1/2</sup> "	45040 01	160
50x25/1"	45025 01	159
65x40/1 <sup>1/2</sup> "	46540 01	189
65x50/2"	46550 01	190
80x50/2"	48050 01	192
80x65/2 <sup>1/2</sup> "	48065 01	214
100x65/2 <sup>1/2</sup> "	41B65 01	219
100x80/3"	41B80 00	219
150x80/3"	41W80 00	268
150x100/4"	41W1B 00	269



### Female Threaded\* Adapter

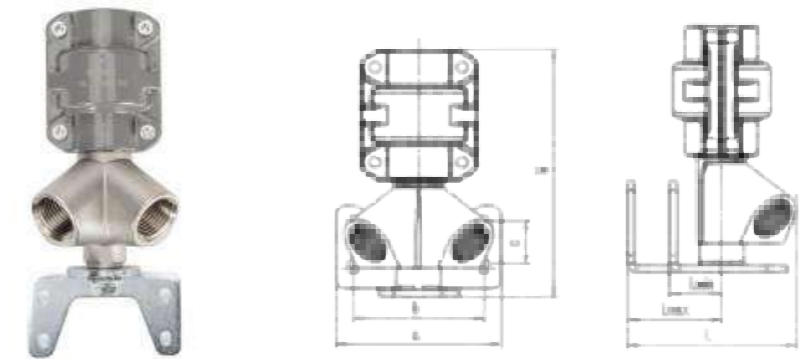
Specs	Code	L
DN20-3/4"	52020N 01	97
DN20-1/2"	52515N 01	92
DN25-1"	52525N 01	98
DN25-3/4"	52520N 01	103
DN25-1/2"	52515N 01	93
DN40-11/2"	54040N 01	109
DN40-11/4"	54032N 01	108
DN50-2"	55050N 01	118
DN65-2 1/2"	56565N 01	142
DN80-3"	58080N 01	142

\* All threads are available in BSP & NPT standard.



**Quick Drop**

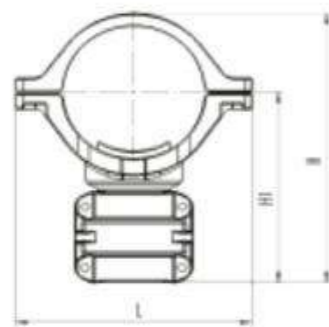
Specs	Code	L	L1	H	H1
25X20	62520 01				
40X20	64020 01	128	86	89	59
40X25	64025 01	130	88	89	59
50X20	65020 01	136	87	100	64
50X25	65025 01	137	88	100	64
65X20	66520 01	147	86	122	79
65X25	66525 01	148	87	122	79
80X25	68025 01	72	72	72	72
80X20	68020 01	72	72	72	72



**Threaded\* Adapter with Adjustable Bracket**

Code	a	b	c	H	Lmin	Lmax	L
E22015Y 01	70	55.5	20	115	22	40	72

\* All threads are available in BSP & NPT standard.



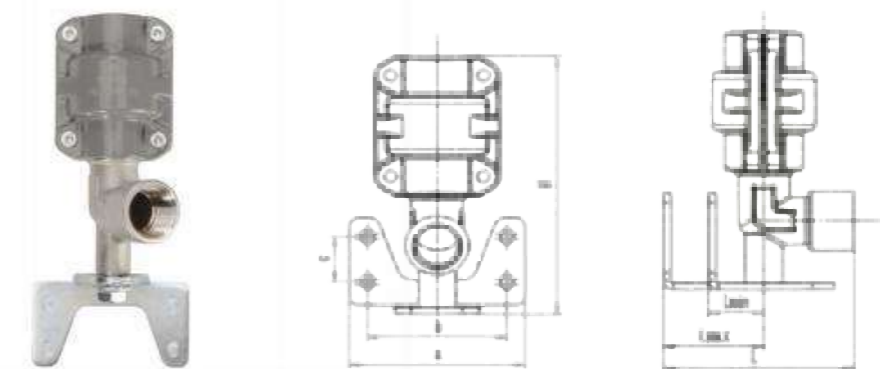
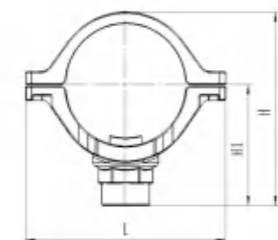
**Quick Drop**

Specs	Code	L	H	H1
DN100-50	61B50 01	177	216	153
DN100-40	61B40 01	177	214	151
DN100-25	61B25 01	177	248	185
DN100-20	61B20 01	177	248	185
DN150x65	61W65 01			
DN150x50	61W50 01			
DN150x40	61W40 01			
DN150x25	61W25 01			
DN150x20	61W20 01			

**Quick Drop Female Threaded\***

Specs	Code	L	H	H1
100X15	61B15N 00	177	202	139
100X20	61B20N 00	177	202	139
150X15	61W15N 00			

\* All threads are available in BSP & NPT standard.



**Threaded\* Adapter with Adjustable Bracket**

Code	a	b	c	H	Lmin	Lmax	L
E22015L 01	70	55.5	20	113	22	40	76

\* All threads are available in BSP & NPT standard.



## TOOLS

### Flange Connector

mm



Flange size	Code	D	D1	D2	H	Bolt size	Bolt QTY
50/2"	75000 00	165	125	18	73	M16	4
65/2½"	76500 01	185	145	18	127	M16	4
80/3"	78000 01	200	160	18	129.5	M16	8
100/4"	71B00 01	220	180	18	134	M16	8
150/6"	71W00 00	285	240	22	163	M20	8



### Notching Machine

mm

Code	Suits for DN
G3652BS 00	≥DN65



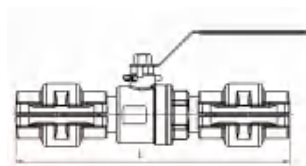
### Pipe Cutter

mm

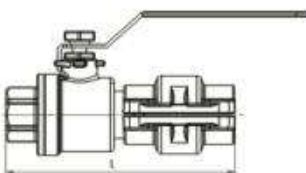
Code	Suits for DN
G12050 00	20-50
G1651B00	65-100

### Stainless Steel Valve

mm



Specs	Code	L
DN20	A2020 01	182
DN25	A2525 01	187
DN20x15Female	A2015N 11	115
DN20x20Female	A2020N 11	
DN25x15Female	A2515N 11	129
DN40	A4040 01	
DN40x40Female	A4040N 11	
DN40x40Male	A4040W 11	
DN50	A5050 01	
DN50x50Female	A5050N 11	
DN50x50Male	A5050W 11	
DN65	A6060 01	
DN80	A8080 01	
DN100	A1B1B 01	



### Deburrer

mm

Code	Suits for DN
G22050 00	20-50



### Deburrer

mm

Code	Suits for DN
G2202B 00	All



### Hole Positioner mm

Code	Suits for DN
G6402B 00	All



### Hole Saw Bit mm

Code	Suits for hole size
G72000	20
G72500	25
G74000	40
G75000	50



### Iron Pipe Clip with Rubber mm

Specs	Suits for DN
F42003	20
F42503	25
F44003	40
F45003	50
F46503	65
F48003	80
F41B03	100
F41W03	150



### Drawing Ruler mm

Code	Suits for DN
G52050	20-50



### Allen Key mm

Code	Specs
G42520	S3
G45040	S5
G48065	S6
G1B00	S8



### Plastic Pipe Fix Clip mm

Specs	Suits for DN
F42001	20
F42501	25
F44001	40
F45001	50
F46501	65
F48001	80



### Hexagon Socket Cap Screws mm

Code	Suits for DN
L20850	
L20860	
L20870	



### Threaded Connecting Rod&Buckle mm

Code	Length
L30830 00	3000
L34000 00	40





### Manifolds

Code	Specs	Ports
Q140SM	1/2"	One
Q1SM2A	1/2"	Two
Q1SM3A	1/2"	Three
Q1SM4A	1/2"	Four
Q120PP	3.5	
Q130PP	5	
Q140PP	7	



### Demo case



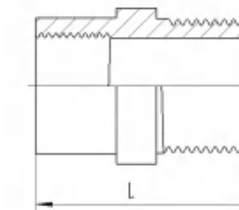
### Pneumatic Tube

Code	Specs
Q20805 00	8x5
Q21065 00	10x6.5



### Adjustable Bracket

Code	Specs
F31224	1200-2400
F31820	1800-2000



### Threaded\* Adapter

Code	Specs	L(mm)
E2515WM 00	1"-1/2"	55
E2520WM 00	1"-3/4"	55

\* All threads are available in BSP & NPT standard.



### Triangle Cantilever Bracket

Code	Specs
F12150	500
F12160	600



### BLOW GUN

Code	Specs
Q3A001 00	200
Q3A001L 00	350
Q3A003 00	200
Q3A003L 00	350
Q3A006 00	200
Q3A006L 00	350